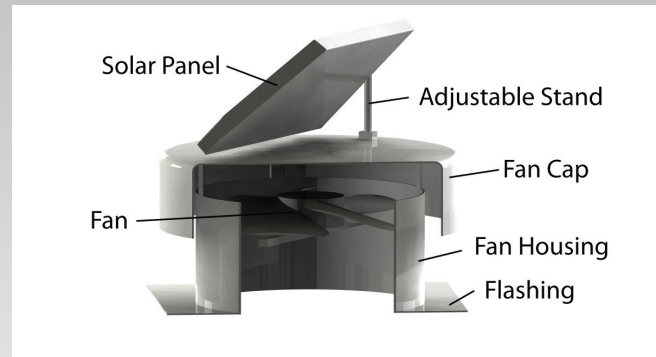


The whisper quiet Solar Whiz is designed and manufactured for GES according to industry standards by an experienced motor and fan manufacturer with ISO 9001 accreditation to suit Australian Conditions.

It reduces the heat load on your ceiling by removing hot air from your roof space. Installing closable ceiling vents opening into the roof space allows the Solar Whiz to extract hot air directly from hot rooms - a feature especially useful in multistorey homes.

You may also via ducting connect the Solar Whiz directly to one or more areas to extract the hot or moist air directly from there.

## Fan Construction and Components



## Benefits

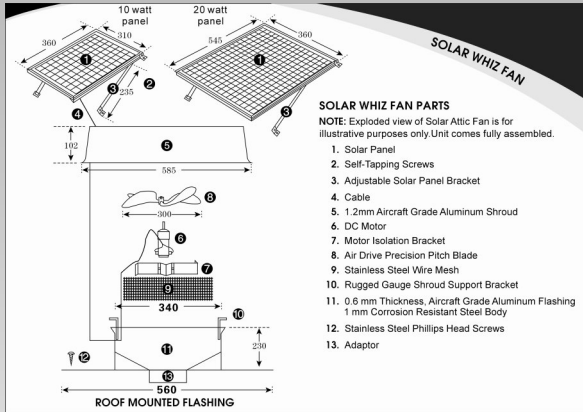
- Cools your house
- Reduces build up of heat in roof space
- Lowers the need for air conditioning
- Increases the efficiency of ducted air conditioning and evaporative cooling systems
- No running cost
- No carbon emissions
- Operates when required (i.e. when the sun is shining)
- Quiet operation
- Simple installation
- Safe low voltage installation
- No electrician required
- Optional thermostat – ensuring Solar Whiz only cools when roof space is warm
- Optional closing cover for winter to avoid undesired heat loss
- Reduction of moisture levels in roof space
- Protects against moisture damage to roof structure

## Solar Whiz

Solar Whiz is designed for durability in Australian conditions and is backed up by a substantial warranty.

## Warranty

10 year warranty on PV panel  
2 years warranty on all other components



## Inquiries & orders

**Global Eco & Environmental Solutions**

205 Elgar Rd, Surrey Hills, Vic 3127

Ph: 1300 655 118

Email: [ges@ges.com.au](mailto:ges@ges.com.au)

Website: [www.ges.com.au](http://www.ges.com.au)

Or your local dealer:

Delivery available Australia wide.

Disclaimer: Global Eco & Environmental Solutions does not accept any responsibility for events that result from the use of this product or the information provided in this brochure.



**Is the heat “getting” to you?**

**Are you hot & bothered?**

**Are you spending a fortune on air conditioning?**

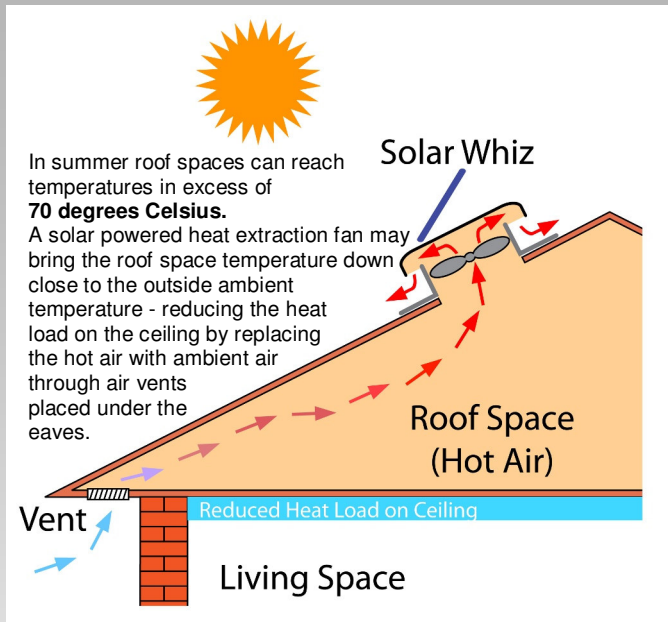
**Stay cool and comfortable  
Install a Solar Whiz  
and save money**

Solar Whiz effectively reduces the heat load on your ceiling and helps you keep the temperature inside the house under control, whilst increasing the efficiency of your ducted air conditioning.

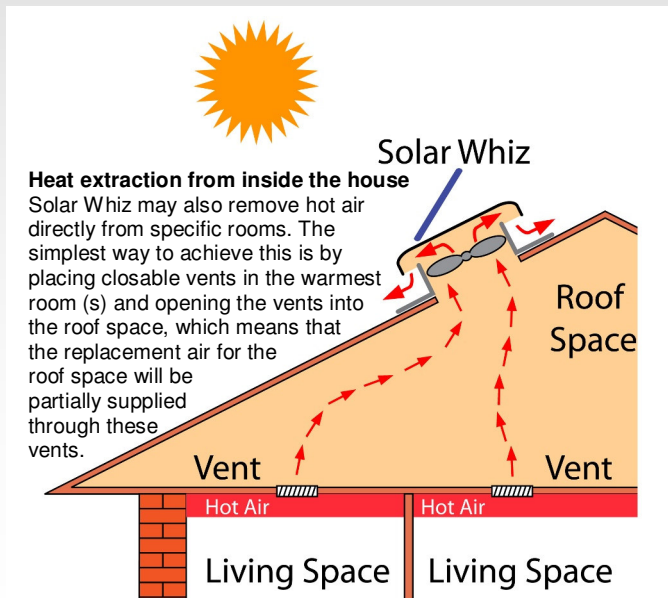
Roof temperatures throughout most of Australia often reach **60°C – 70°C** in the summer months. Solar Whiz replaces the hot air in your roof space with cooler air, allowing your roof space to remain only a few degrees above the ambient temperature.

# How does it work?

## Standard Installation



## Heat Extraction from rooms



In special cases it will be possible to connect ducting to the Solar Whiz to extract air from specific areas.

## Why passive/convection systems are not enough

We all know that hot air rises, but it also expands – in all directions. If you have vents in your roof space they will let warm air out. However vents only work when the roof space is already warm – and the expanding air starts radiating into your home. Solar Whiz starts when the sun shines on the roof – and therefore prevents the heat from building up.

## Not just hot air!

Other applications for Solar Whiz:

**Reduce moisture levels:** Solar Whiz is also a very effective way to reduce moisture levels in the roof space. The extraction fan removes moist air, which amongst other damaging effects, may cause condensation on the roof – and in extreme cases condensation dripping onto insulation/ceiling causing damage, such as cracking plaster and peeling paint. A Solar Whiz will also help prevent mould & mildew and protects the roof structure.

**Heat extraction from inside the house:** Solar Whiz may via a duct remove hot air from specific rooms or areas. It may also be possible to simply place vents in specific rooms and open the vents into the roof space when required, which means that the replacement air for the roof space will be partially supplied through these vents. This method will also help **ventilate the house and reduce the risk of mould during warm and humid weather.**

## Where to use Solar Whiz

Solar Whiz can be used across a large number of applications including:

- Homes
- Sheds
- Offices
- Consulting rooms
- Factories
- Warehouses and storage facilities
- Schools
- Day care instructions
- Nursing homes

Retrofitting is easy, but every new building should incorporate one or more Solar Whiz fans to improve energy efficiency and comfort levels.

## Simple installation

Solar Whiz is powered by a low voltage solar panel and does not require an electrician – or connection to a power point. No wiring means that the Solar Whiz can be installed quickly and effectively on the roof by any handyman. Ask for a copy of our detailed DIY instructions.

## What if my roof doesn't face the sun?

The Solar Whiz can be turned to face the sun no matter which way the roof is facing – so not having a north facing roof is no problem! The adjustable PV panel mounting allows you to choose a suitable angle (up to 80 degrees) for any pitch – even if your roof faces south.

Model	Roof Mounted	Gable Mounted
<b>Models Available</b>	SW 1400 SW 2100 SW 3000	SW 1400G SW 2100G SW 3000G
<b>Capacity</b>	1400 m <sup>3</sup> /h 2100 m <sup>3</sup> /h 3000 m <sup>3</sup> /h	1400 m <sup>3</sup> /h 2100 m <sup>3</sup> /h 3000 m <sup>3</sup> /h
<b>PV panel Polycrystalline. High-impact resistant panel</b>	Adjustable angle 0-80 degrees  10 watt 20 watt 25 watt	All models adjustable mounting brackets  10 watt 20 watt 25 watt
<b>Fan motor</b>	6-14 volt DC brushless motor with double shielded ball bearings	
<b>Fan Decibels</b>	<40dBA <45dBA <50dBA	<40dBA <45dBA <50dBA
<b>Fan blade</b>	Balanced 4-wing design, ABS polymeric reinforced fan blade with UV protection designed for high airflow and low noise – 300 mm diameter	
<b>Fan cap</b>	Aluminium alloy for maximum durability	N/A
<b>Body</b>	Corrosion resistant Steel (superior corrosion resistance suitable for coastal installations)	N/A
<b>Flashing</b>	Aluminium 500 x 500 x 0.9mm	N/A
<b>Coating</b>	Electro Static UV resistant spray cured in high temperature drying process	
<b>Hardware</b>	Cold sheet steel brackets, stainless steel fasteners and screen	
<b>Dimensions</b>	All Models Diameter: 560mm Height: 360mm	All Models Diameter: 500mm Depth: 180mm
<b>Packing Size</b>	640 x 640 x 390mm 640 x 640 x 290mm 670 x 630 x 290mm	520 x 520 x 280mm 570 x 520 x 280mm 670 x 520 x 280mm
<b>Packing Weight</b>	10Kg 11Kg 12Kg	7Kg 8kg 9kg
<b>Colour</b>	Black powder coating	
<b>Options</b>	- Thermostatic control: Fixed temperature 30°C or adjustable 10-30°C - Eave Vents, & Ceiling Vents - Night operation	

Global Eco & Environmental Solutions reserves the right to alter any of the information/specifications in this document